

mira
AZORA



Mira Azora Thermostatic Electric Shower Installation & User Guide

These instructions are to be left with the user

Contents

Introduction.....	3
Important Safety Information	4
Pack Contents Checklist	6
Specifications	8
Installation Requirements.....	8
Installation	11
Commissioning.....	17
User Instructions	19
Fault Diagnosis.....	21
Maintenance.....	23
Mira Azora Spare Parts List.....	26
Accessories.....	26
Mira Energise Shower Fittings Spare Parts List.....	28
Dimensions.....	29
Wiring Diagram.....	30
Customer Services	31

Introduction

Thank you for purchasing a quality Mira product. To enjoy the full potential of your new product, please take time to read this guide thoroughly. Having done so, keep it handy for future reference.

The Mira Azora is a thermostatic electric shower with separate controls for power selection and temperature/flow adjustment. A unique thermostatic valve stabilizes temperature changes caused by water pressure fluctuations. These can result from taps being turned on or off, or a toilet being flushed. An individual light indicates “ON/OFF”.

The Mira Azora comes complete with a set of Mira Energise Shower Fittings.

Mira Azora 9.8 kW

A 9.8 kW 240 V AC (9.0 kW 230 V AC) heater with Mira Azora adjustable spray handset with four different spray actions (start, soothe, force and eco*). Supplied complete with flexible hose, clamp bracket assembly, slide bar, supports, hose retaining ring and soap dish. Available in a satin chrome and glass finish.

* The eco setting reduces the water flow to give economical use of water, whilst still giving an adequate shower performance. This setting performs best with most gravity, pumped, and mains pressure unvented systems. On electric showers and some combination boiler systems the economy setting will have no effect, and will give the same spray action as the start setting.

Patents and Design Registration

Design Registration:	000578463-001-002
Patents:	GB2341667, Ireland 82835
Patent Applications:	GB0612240.2, GB0415901.8, Ireland 2006/0462

If you experience any difficulty with the installation or operation of your new shower, then please refer to the Fault Diagnosis section, before contacting Kohler Mira Ltd. Our telephone and fax numbers can be found on the back cover of this guide.

Important Safety Information

Installation must be carried out in accordance with these instructions, and must be conducted by designated, qualified and competent personnel.

Warning!

Follow all warnings, cautions and instructions contained in this guide, and on or inside the appliance.

1. Products manufactured by us are safe and risk-free, provided that they are installed, used and maintained in good working order, in accordance with our instructions and recommendations.
2. Isolate the electrical and water supplies before commencing installation. The electricity must be turned off at the mains and the appropriate circuit fuse removed, if applicable.
3. Mains connections are exposed when the cover is removed.
4. Refer to the wiring diagram before making any electrical connections (see internal wiring diagram at the back of the book).
5. Make sure that any pipework that could become frozen is properly insulated.
6. Having completed the installation, make sure that the user is familiar with the operation of the appliance.
7. Make sure that this guide is left with the user.
8. DO NOT commission this appliance if water leaks from the unit or the heater tank pressure relief valve.
9. DO NOT fit any form of outlet control (e.g. Trigger handset) as the outlet acts as a vent for the tank body. Only Mira recommended outlet fittings should be used.
10. Ensure all electrical connections are tight, to prevent overheating.
11. Warning! DO NOT operate this appliance if it is frozen. Allow the appliance to thaw before using. The shower unit must not be fitted where it may be exposed to freezing conditions.
12. This product is not suitable for areas with high humidity (i.e. steam rooms). Please consult your installer.
13. THIS APPLIANCE MUST BE EARTHED. ENSURE SUPPLEMENTARY BONDING COMPLIES WITH THE "REQUIREMENTS FOR ELECTRICAL INSTALLATIONS".

In accordance with the current edition of "The Plugs and Sockets etc. (Safety Regulations)" in force at the time of installation, this Mira Escape is intended to be permanently connected to the fixed electrical wiring of the mains system.

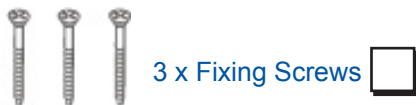
Caution!

1. Read all of these instructions and retain this guide for later use.
2. The electrical installation must comply to “BS 7671 - Requirements for Electrical Installations”, commonly referred to as the IEE Wiring Regulations - Part 7, or any particular regulations and practices, specified by the local electricity supply company.
3. The plumbing installation must comply with the requirements of UK Water Regulations/Bye-laws (Scotland), Building Regulations or any particular regulations and practices, specified by the local water company or water undertakers.
4. Make sure that you fully understand how to operate this shower and make sure that it is properly maintained in accordance with the instructions given in this manual.
5. Anyone who may have difficulty understanding or operating the controls of any shower should be attended whilst showering. Particular consideration should be given to:
 - The young, the elderly, the infirm, the disabled, anyone who suffers from a medical condition that can result in temporary incapacity (e.g. epilepsy or blackouts), anyone inexperienced in the correct operation of the controls.
6. Sunburn or skin conditions can increase your sensitivity to hot water. Make sure that you set the shower to a cooler temperature.
7. If any of the following conditions occur, isolate the electricity and water supplies and refer to “Customer Services”, in the back page of this guide.
 - If the cover is not correctly fitted and water has entered the appliance case.
 - If the case is damaged.
 - If the appliance begins to make an odd noise, smell or smoke.
 - If the appliance shows signs of a distinct change in performance, indicating a need for maintenance.
 - **DO NOT** operate if water leaks from the appliance.
8. When this appliance has reached the end of its serviceable life, it should be disposed of in a safe manner, in accordance with current local authority recycling, or waste disposal policy.

Pack Contents Checklist

Mira Azora

Tick the appropriate boxes to familiarise yourself with the part names and to confirm that the parts are included.



Documentation

1 x Installation and User Guide

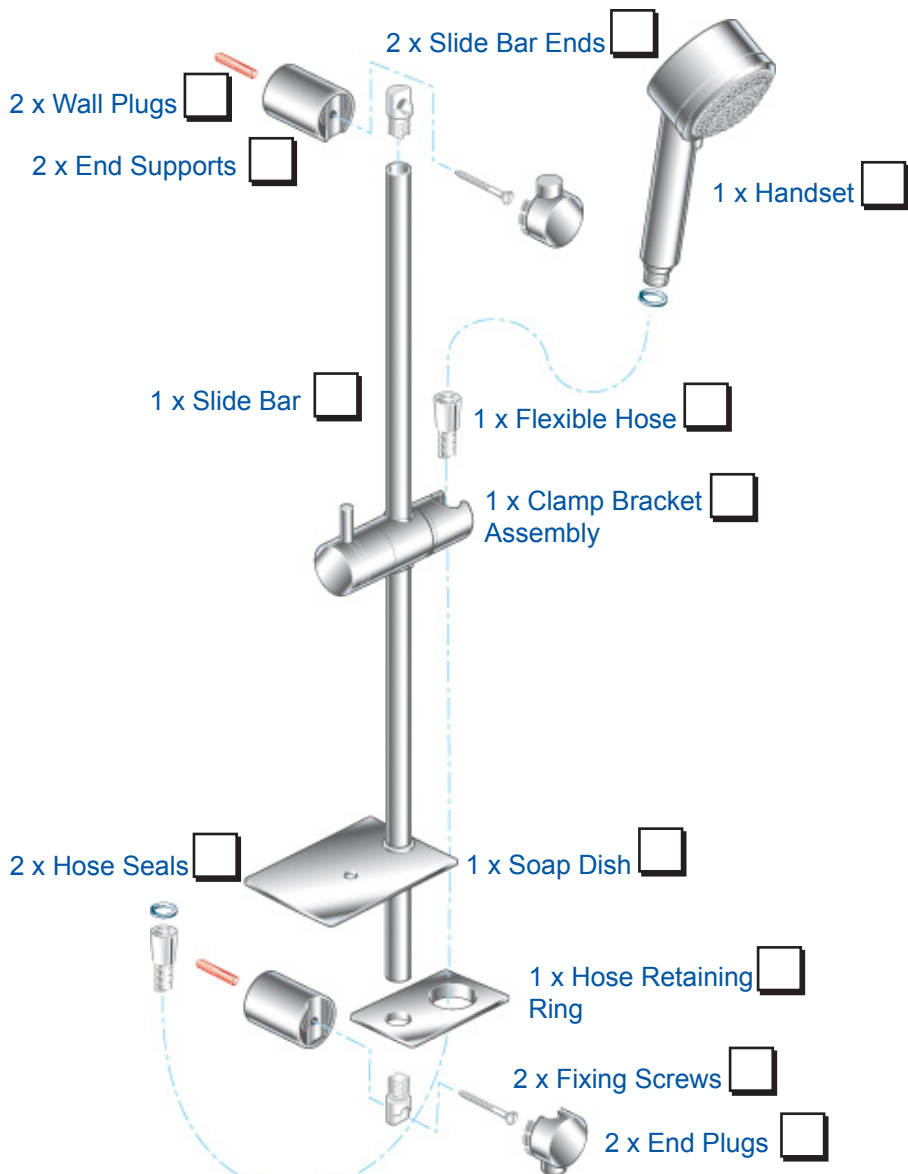
1 x Installation Template

1 x Installer Checklist

1 x Guarantee Card

Mira Energise Electric Shower Fittings

Tick the appropriate boxes to familiarise yourself with the part names and to confirm that the parts are included.



Documentation

1 x Installation and User Guide

Specifications

1. Plumbing

- Minimum maintained inlet pressure 70 kPa (0.7 bar).
100 kPa (1.0 bar) recommended for satisfactory operation.
- Maximum static inlet pressure 1000 kPa (10 bar).
- Minimum static pressure 20 kPa (0.2 bar) to keep the inlet valve closed.

2. Electrical

- The Mira Azora 9.8 kW requires a 45 Amp fuse.
- The terminal block will accept cable up to 16 mm².

3. Standards and Approvals

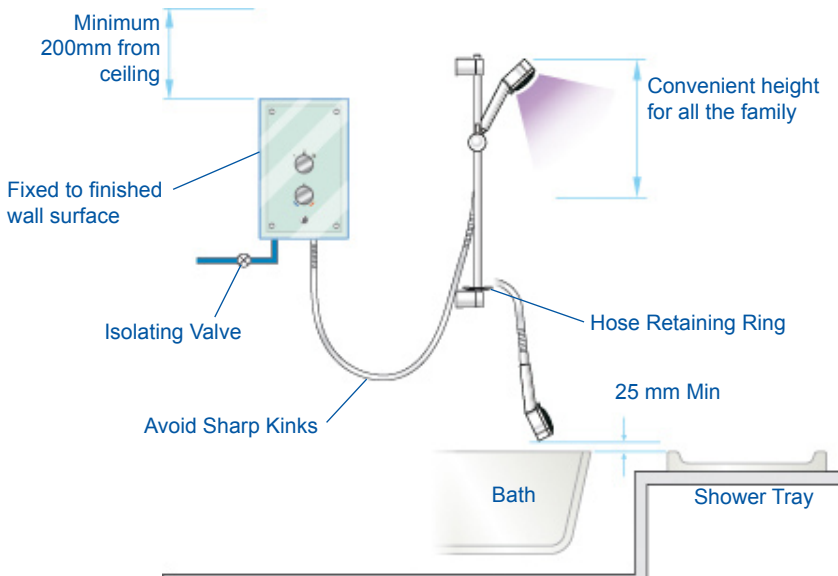
- The Mira Azora complies with all relevant directives for CE marking.

Installation Requirements

1. Plumbing

- The appliance is designed to operate with a minimum maintained inlet pressure of 0.7 bar up to a maximum static inlet pressure of 10 bar. When installed in very hard water areas (above 200 ppm temporary hardness) your installer may advise the installation of a water treatment device, to reduce the effects of limescale formation. Your local water company will be able to advise the hardness of water in your area.
- It is recommended that a non-restrictive (free flowing) isolating valve is fitted in the cold water supply pipe to allow the complete maintenance of the appliance. Do not use a valve with a loose washer plate (jumper) as this can lead to a build up of static pressures.
- The appliance is suitable for installation within the shower area. It is fitted with a pressure relief device and must be positioned over a water catchment area with the controls at a convenient height for all users.
- The appliance must be fitted on to a finished flat and even wall surface (this wall surface should be tiled or waterproofed). **Do not** fit the appliance to the wall and tile up to the case. For safety requirements, an air gap must be left behind the appliance.

- Avoid layouts where the shower hose will be sharply kinked. This may reduce the life of the hose.
- A Hose Retaining Ring is supplied to prevent the handset from dropping below the spill-over level of the bath or shower tray, which could lead to contamination from back-siphoning. The supplied Hose Retaining Ring should meet the majority of user requirements for shower installations with flexible outlet fittings. However, there will be occasions when it will not provide a suitable solution. In these instances an outlet double checkvalve, e.g. a Mira DCV-H, **must** be fitted. This will increase the required supply pressure typically by 0.1 bar (see section “Accessories”).
- Supply pipework **must** be flushed to clear debris before connecting to the appliance.
- To avoid damage to the case when soldered fittings are used, pre-solder the pipework and fittings before connecting them to the inlet connector assembly. Refrain from applying excessive force when making any connections. Always provide mechanical support when making the plumbing connections.
- The appliance is fitted with a brass inlet compression assembly for connecting to a 15mm supply pipe from the top, bottom or back. Double checkvalves, if fitted in the inlet supply to the appliance, can cause a pressure build-up, which could exceed the maximum static inlet pressure and damage the appliance.

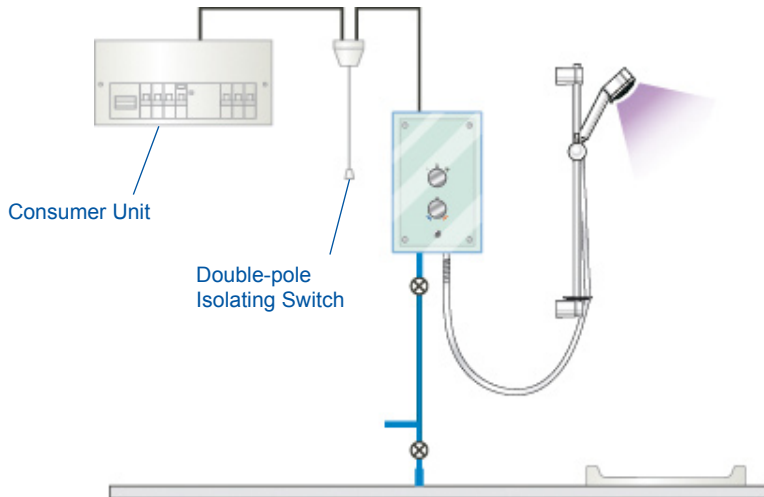


2. Electrical

- In a domestic installation, the rating of the electricity supplier's fuse and the consumer unit must be adequate for the additional demand. All Mira electric showers are high power units, it is essential to contact your electricity supplier to ensure that the supply is adequate for the product. Voltage drop due to local heavy demand will reduce the shower's performance.
- The appliance **must be earthed** by connecting the supply-cable earth conductor to the earth terminal.
Supplementary bonding: Within the bathroom or shower room, all accessible conductive parts of electrical equipment and extraneous conductive parts (metal parts) that are likely to introduce earth potential, must be electrically bonded to earth using a minimum cable size of 4.0mm² if the cable is not mechanically protected, (2.5 mm² if mechanically protected).
- The minimum cable size (cross-sectional area) required should be in accordance with BS 7671.
- As a guide only, and in accordance with BS 7671 we recommend close circuit protection: i.e. 9.8 kW = 45 Amp

It is strongly recommended that a 30 mA Residual Current Device (RCD) is included in the electrical circuit. This may be part of the consumer unit or a separate unit.

- A separate, permanently connected supply must be taken from the consumer unit to the appliance through a double-pole switch, which has at least 3 mm of contact separation. The switch can be a ceiling mounted pullcord type within the shower room, or a wall mounted switch in an adjacent room.
- **DO NOT** twist the individual cable cores of either the live or neutral conductors, as this will prevent them from entering the terminal block.
- **DO NOT** exert strain on the terminal block. Ensure that the electrical connections are tightly screwed down.
- **DO NOT** turn-on the electrical supply until the plumbing has been completed.



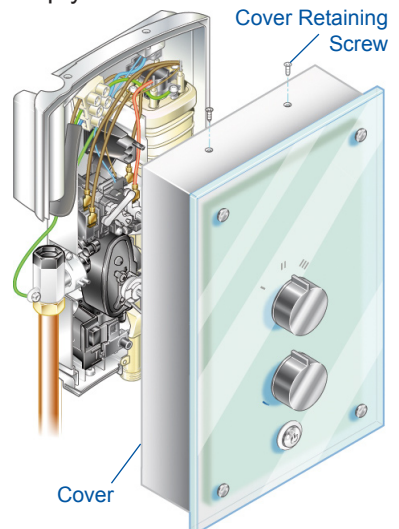
Installation

1 Installation of Mira Azora

▶ **Warning!** Turn off the electrical and water supplies before proceeding with the installation of the Mira Azora. The electricity must be turned off at the mains and the appropriate circuit fuse removed, if applicable.

▶ **Note!** An installation template is supplied to help you install the Mira Azora.

▶ Remove the three cover retaining screws and the cover.
Caution! Handle glass cover assembly with care.



▶ Determine the direction of the inlet water supply: top (falling), bottom (rising), or back inlet .

▶ **Note!** Make sure that the back inlet does not go directly back into the wall. Use a soldered elbow.

▶ Swivel the inlet connector assembly to suit. Remove the inlet blanking cap. Avoid trapping the green earth bonding wire.

▶ Before fitting the Cover, make sure that the appropriate cutouts have been removed to suit the supply entering the product.

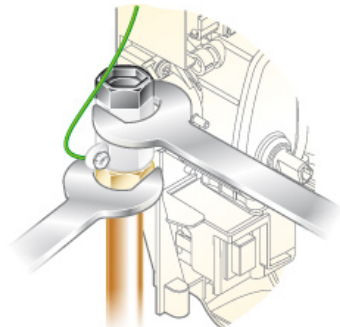
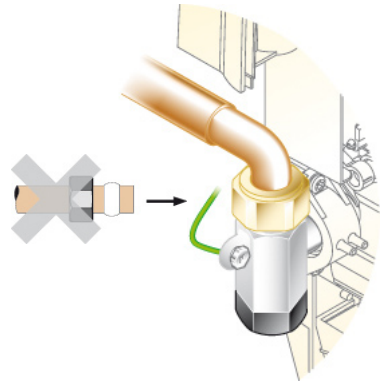
▶ **Thoroughly flush the mains-fed cold water supply pipe. The supply must be clean and free from debris BEFORE connecting the appliance.** To flush the pipework, turn on the water supply and drain a minimum of 10 litres (2 gallons) of water into a bucket or catchment area. Turn off the water supply.

An installation template is supplied to help you install the Mira Azora.

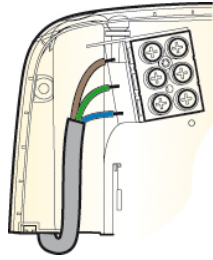
▶ Put the installation template on the wall and mark through the positions of the fixing holes. Ensure the position of these holes do not come in line with any buried cables or pipework. Make sure that sufficient electrical supply cable is available for connection to the terminal block.

▶ Drill and plug the top two fixing holes. Secure the appliance to the wall with the screws provided. Drill the bottom fixing hole with the product in place. Alternative fixings (not supplied) may be necessary for some wall structures. Avoid drilling into any supply cable/pipe.

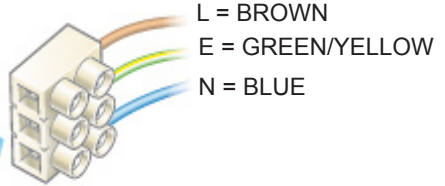
▶ Install the mains-fed cold water supply pipe. Do not overtighten.



- ▶ Feed cable into Case. Fit Earth sleeve (not supplied) and then strip insulation. Do not twist cable cores.

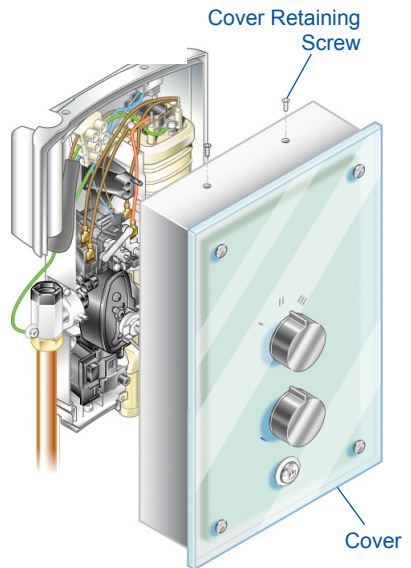


- ▶ Firmly connect the conductors. Do not exert strain on the terminal block.

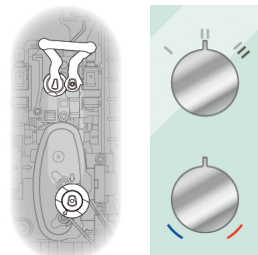


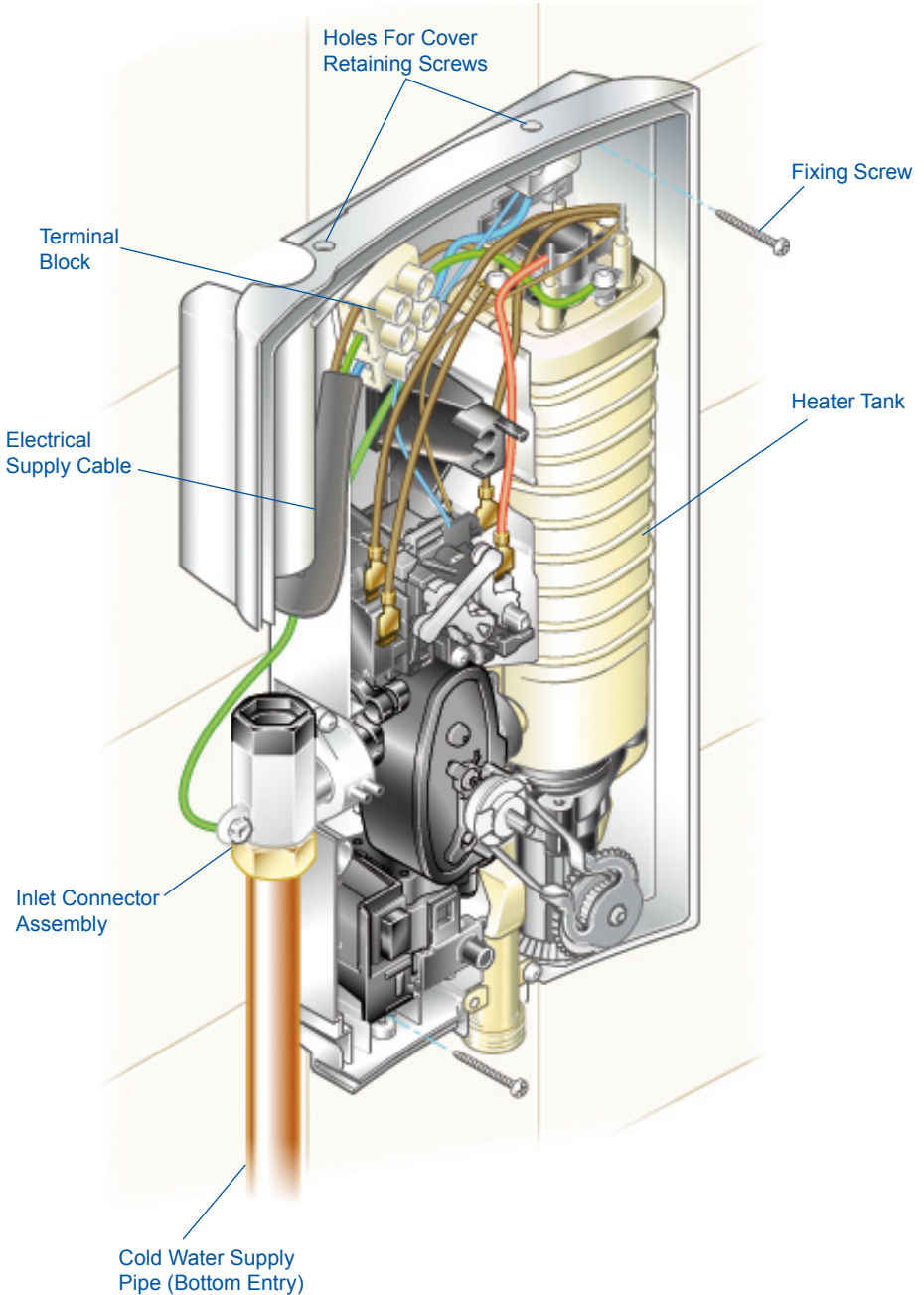
- ▶ Refit the Cover, making sure it is correctly located. Do not overtighten screws.
Caution! Handle glass cover assembly with care.

Do not use alternative screws to secure the Cover. This can cause internal damage to the appliance. Do not seal around the back of appliance.



When fitting the Cover, position the controls to correspond with the internal drive features as shown.



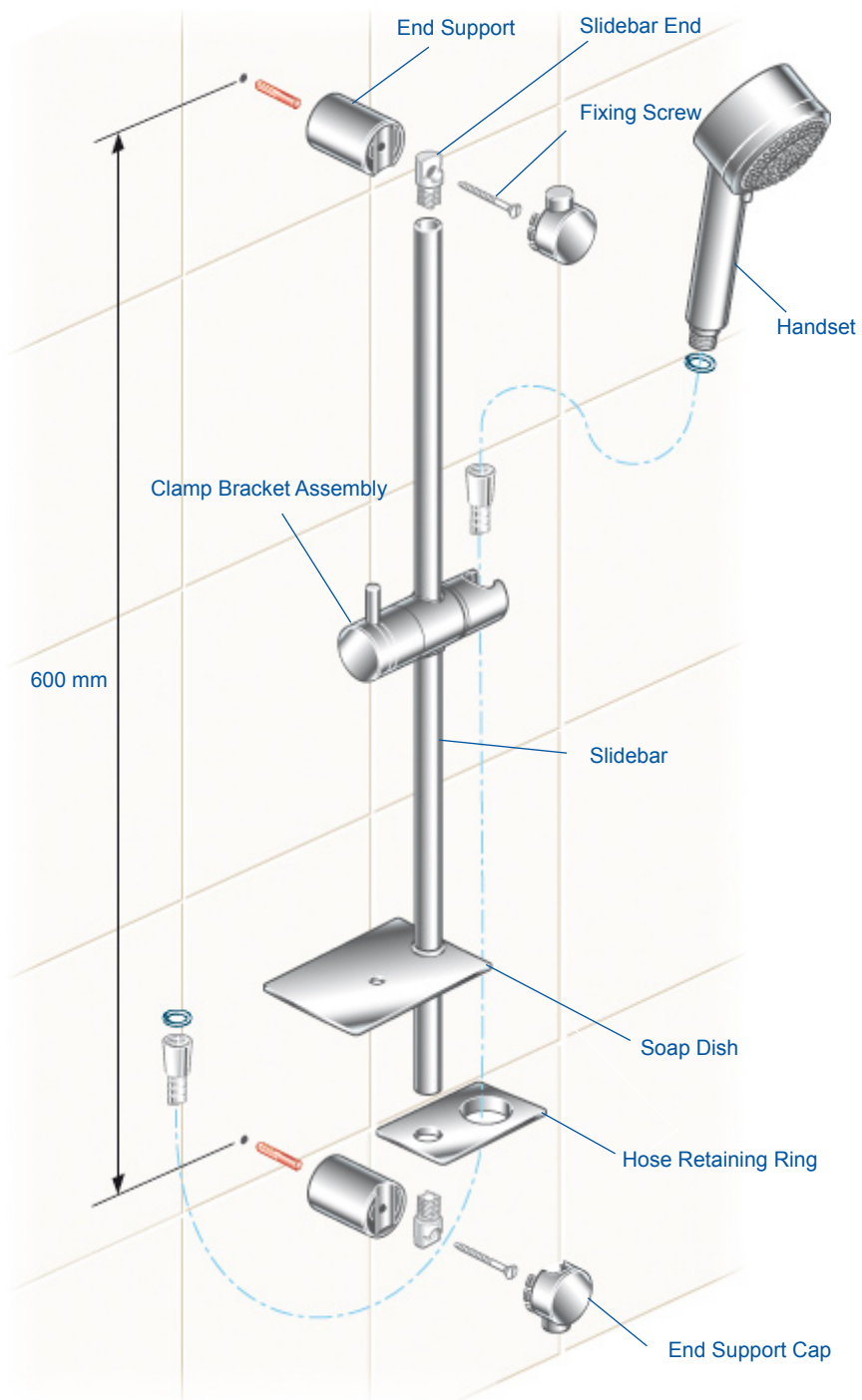


2 Installation of Shower Fittings

- ▶ Decide on a suitable position for the slide bar avoiding buried cables and pipes.
- ▶ Drill the two 7.0 mm fixing holes for the slidebar at 600 mm centres and insert the wall plugs.
- ▶ Assemble the clamp bracket components. Push the plastic slidebar ends into the slidebar.
- ▶ Push the slidebar through the clamp bracket assembly, soapdish and hose retaining ring.
- ▶ Fit the bottom end support loosely to the wall. This will make aligning the top support easier. Insert the fixing screw into the countersunk hole of the plastic slide bar end and through the slidebar support.
- ▶ Place the screw through the top end support and fully tighten. Fully tighten the bottom end support.
- ▶ Fit the end support caps over the slidebar end supports.
- ▶ Screw the hose onto the handset and the outlet of the shower (Make sure the hose seals are fitted). **Do not overtighten.**
- ▶ Place the handset into the slidebar clamp bracket.

Note! The clamp bracket is tapered. The handset will only fit properly from one direction. If necessary turn the end of the clamp bracket until the handset will fit.

- ▶ If the clamp bracket pivots downwards under the weight of the handset the central securing screw in the bracket will require tightening to hold the handset in position.



Commissioning

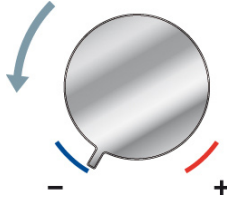
If you are unsure how an electric shower works, please read through the section **“User Instructions”** before continuing.

1.



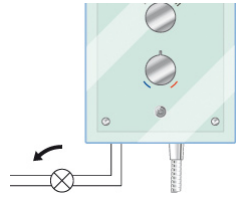
Electrical supply is turned off at the mains.

2.



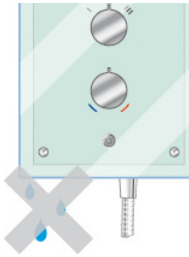
Turn control to full cold.

3.



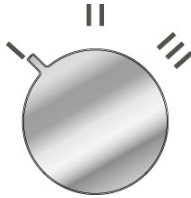
Turn the water supply fully on.

4.



Check for water leaks.

5.



Set control to 'I'.

6.



Switch on electrical supply.

7.



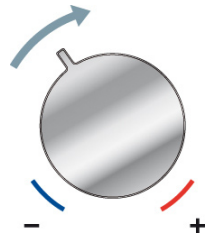
Press the 'Start/Stop' button.

8.



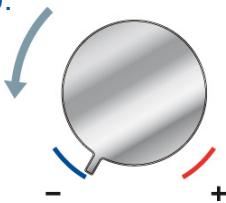
Water will be at full force and at a cool temperature.

9.



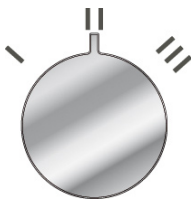
Turn the control slowly. Temperature remains cool and flow is reduced

10.



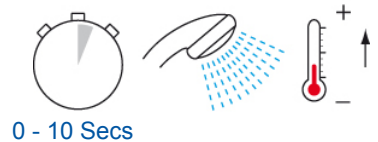
Turn control to full cold.

11.



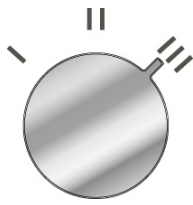
Set control to 'II'.

12.



The temperature will rise slightly.

13.



Set control to 'III'.

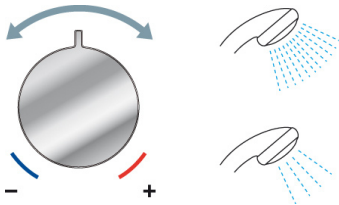
14.



5 - 10 Secs

The temperature will rise further.

15.



Adjust temperature as required. Flow rate will adjust automatically.

16.



Press STOP and isolate power.

17.



0 - 5 Secs

The shower will purge from its tank for a few seconds.

18.



Residual water may drain over a few minutes.

Note! A slight hissing sound may be heard from the appliance during operation. High mains water pressure and high shower temperatures will affect the tone. This is quite normal in use.

User Instructions

Read the section “Important Safety Information” first.

1.



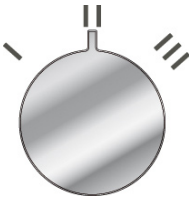
Switch on electrical supply.

2.



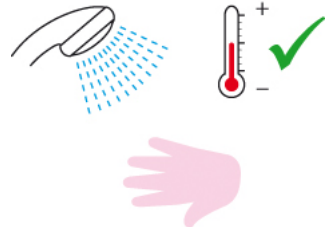
Press the ‘Start/Stop’ button.

3.



Set to desired position.

4.



Check water temperature before entering shower.

5.



Allow 10 - 15 seconds for any temperature adjustments to reach the handset.

6.



Press STOP button. Shower will continue to run for a few seconds before stopping.

7.



Residual water may drain over a few minutes.

Note! At the end of every shower make sure that the shower head points into the catchment area. A small amount of water may be retained in the shower handset after the shower has been turned off. This may drain over a few minutes.

Spray Action

The handset spray head has four different spray actions:- Eco, Start, Soothe and Force. The handset operation is described below.

1. **Eco**

To access the eco setting, turn the spray plate fully clockwise. Water will flow from the outer set of holes at a reduced flow rate.



2. **Start**

To access the start setting turn the spray plate anticlockwise until it 'clicks' (one click from the eco setting). Water will flow from the outer set of holes.



3. **Soothe**

To access the soothe setting turn the spray plate anticlockwise until it 'clicks' (two clicks from the eco setting). Water will flow from the large diameter holes.



4. **Force**

To access the force setting turn the spray plate anticlockwise until it 'clicks' (three clicks from the eco setting). Water will flow from the inner set of holes.



Fault Diagnosis

The trouble shooting information tabled below gives details on probable causes and remedies should difficulties be encountered whilst the shower is in operation.

Warning! There are no user serviceable components beneath the cover of the appliance.

ONLY A COMPETENT TRADESPERSON SHOULD REMOVE THE FRONT COVER!

Symptom	Power Light	Heater Setting I/II/III	Probable Cause	Possible Remedy
Appliance fails to operate.	OFF	Any	Electrical supply isolated at double pole switch.	<i>Switch on electrical supply via the pullcord or wall mounted switch.</i>
	OFF	Any	Fuse blown or MCB/RCD tripped, indicating possible electrical fault.	Renew the fuse or reset the MCB/RCD. If fault persists, contact your installer.
Shower cycles from hot to cold.	ON	II/III	Handset blocked.	Remove and clean.
	ON	II/III	Water pressure below minimum required for appliance operation.	Make sure incoming mains water stopcock and/or appliance isolating valve is fully turned on.
	ON	II/III	Temperature dial or Heater setting too high.	Turn the Heater Control to II setting or turn the Temperature Control until a cooler temperature is achieved.
Unable to select a cool enough shower.	ON	III	Thermostatic mechanism is faulty or damaged.	Replace.
				Due to the rise in mains water supply temperature, the Heater setting may be too high.
All of the following remedies must only be performed by a Competent Tradesperson				
Handset dripping.	OFF	Any	Insufficient Water supply pressure for shut off.	The minimum static pressure to ensure shut off and prevent dripping is 0.2 bar. Note: If other appliances are operating, static pressure may drop below 0.2 bar. Contact local water company. Renew the Flow Valve.
	OFF	Any	Inlet Valve faulty.	Replace.

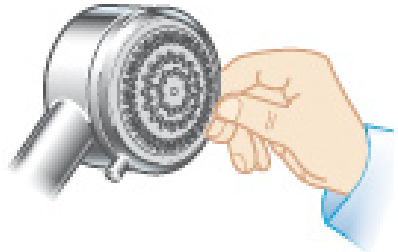
Symptom	Power Light	Heater Setting Low/Medium/ High	Probable Cause	Possible Remedy
Low or No flow	ON	Any	Water supply pipework or inlet filter restricted by a blockage or partial blockage.	Flush supply pipe. Clean Inlet Filter.
	ON	Any	Insufficient water supply pressure/flow for operation.	Contact local water company. Supply pressure must be a minimum of 0.7 bar. Note: If other appliances are operating, pressure may drop below 0.7 bar.
	ON	Any	Other outlets (e.g. toilet, garden hose, washing machine, etc.) drawing water while the shower is being used.	Turn off other appliances whilst shower is in use.
	ON	Any	Handset blocked.	Remove and clean.
	ON	Any	Cover not fitted correctly causing Start/Stop button not to operate.	Check Cover is cut and fitted correctly. Check services (electrical or plumbing) are not interfering with location of Cover.
	ON	Any	Inlet Valve faulty.	Replace.
	ON	Any	Heater Tank excessively scaled.	Replace. In hard water areas consider the use of a water softener.
Operation of Temperature Control has little or no effect on water temperature.	ON	II/III	Handset or Inlet Filter blocked.	Remove and clean.
	ON	II/III	Inlet Valve faulty.	Replace.
	ON	II/III	Heater Tank failure.	Replace.
	ON	II/III	Microswitch failure.	Replace.

Symptom	Power Light	Heater Setting Low/Medium/High	Probable Cause	Possible Remedy
No change in temperature between Low/Medium/High setting.	ON	Any	Insufficient mains water pressure.	Contact local water company.
	ON	Any	Possible failure of Flow Valve, Microswitch, or Heater Tank.	Use a suitable continuity device to check the continuity of the Microswitch or Heater Tank and replace parts as necessary.
Water will not turn off.	ON	Any	Inlet Valve, Solenoid, or Start/Stop switch faulty.	Replace as necessary.
	ON	Any	Supply pressure below 0.2 bar.	Contact local water company. Check mains water static pressure.
Appliance fails to produce hot water when set on Medium/High Heater Setting.	ON	II/III	Insufficient Water supply.	Contact local water company.
	ON	II/III	Possible failure of the Microswitch or thermal switch.	Use a suitable continuity device to check the continuity of the Microswitch or Heater Tank and replace parts as necessary.
	ON	II/III	Heater Tank failure.	Replace.

Maintenance

Handset - Cleaning

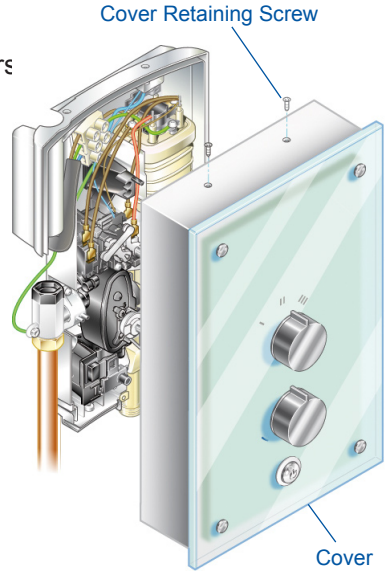
- ▶ Clean with mild washing up detergent or soap solution. Wipe dry with a soft cloth.
- ▶ Poor shower performance can be avoided by cleaning the spray plate. Use thumb or soft cloth to wipe rubber nozzles. The handset must be descaled regularly.



Inlet Filter - Cleaning/Renewing

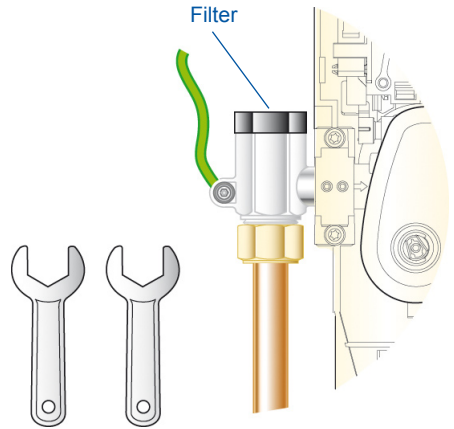
Read the section “Important Safety Information” first

- ▶ Make sure that the electrical supply is turned off at the mains and that the water supply is fully turned off.
- ▶ Remove the three screws and the cover.
Caution! Handle glass cover assembly with care.



- ▶ Hold a wrench across the flats of the metal connector. Unscrew the filter using another wrench as shown. Clean or renew the Filter as necessary. Refit in reverse order making sure the Filter is screwed fully home.

Do not overtighten. Make sure plumbing connections are sealed before restoring electricity supply.



- ▶ Refit the Cover making sure it is correctly located. Do not overtighten the screws.



Spare Parts List

Mira Azora Spare Parts List

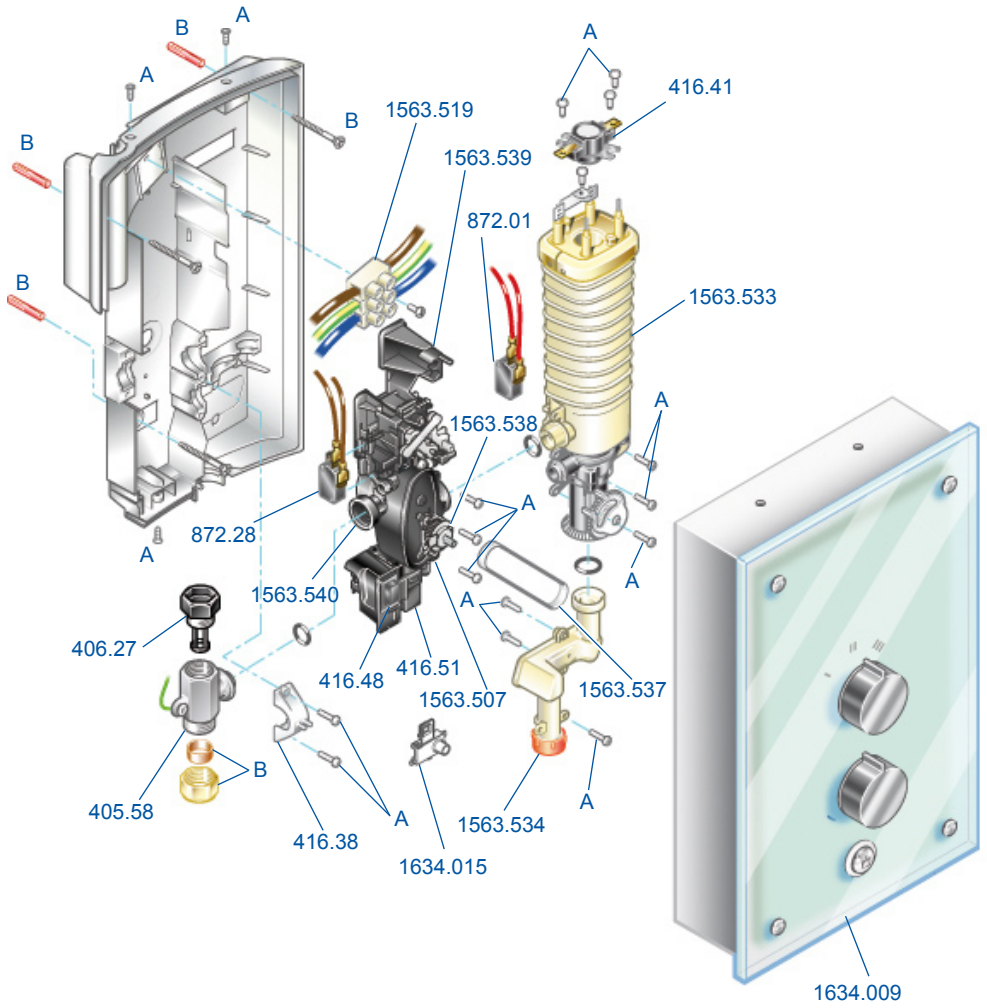
405.58	Inlet Connector Assembly
406.27	Inlet Filter (with 'O' seal fitted)
416.38	Clamp Bracket (Inlet)
416.41	Thermal Switch
416.48	Latching Switch
416.51	Solenoid Coil
872.01	Microswitch N/O - 2 pin
872.28	Microswitch C/O - 3 pin
1563.519	Terminal Block Assembly
1563.533	Thermostatic Valve/Heater Tank 9.8 kW 240 V AC
1563.534	Outlet Connector Assembly
1563.537	Temperature Control Belt Thermostatic
1563.538	Temperature Cam & Pulley
1563.539	Switching Assembly
1563.540	Inlet Valve Assembly
1563.551	Component Pack - chrome - components identified 'B'
1634.009	Cover Assembly
1634.015	Power On LED Assembly
1634.026	Screw Pack - components identified 'A'

Accessories

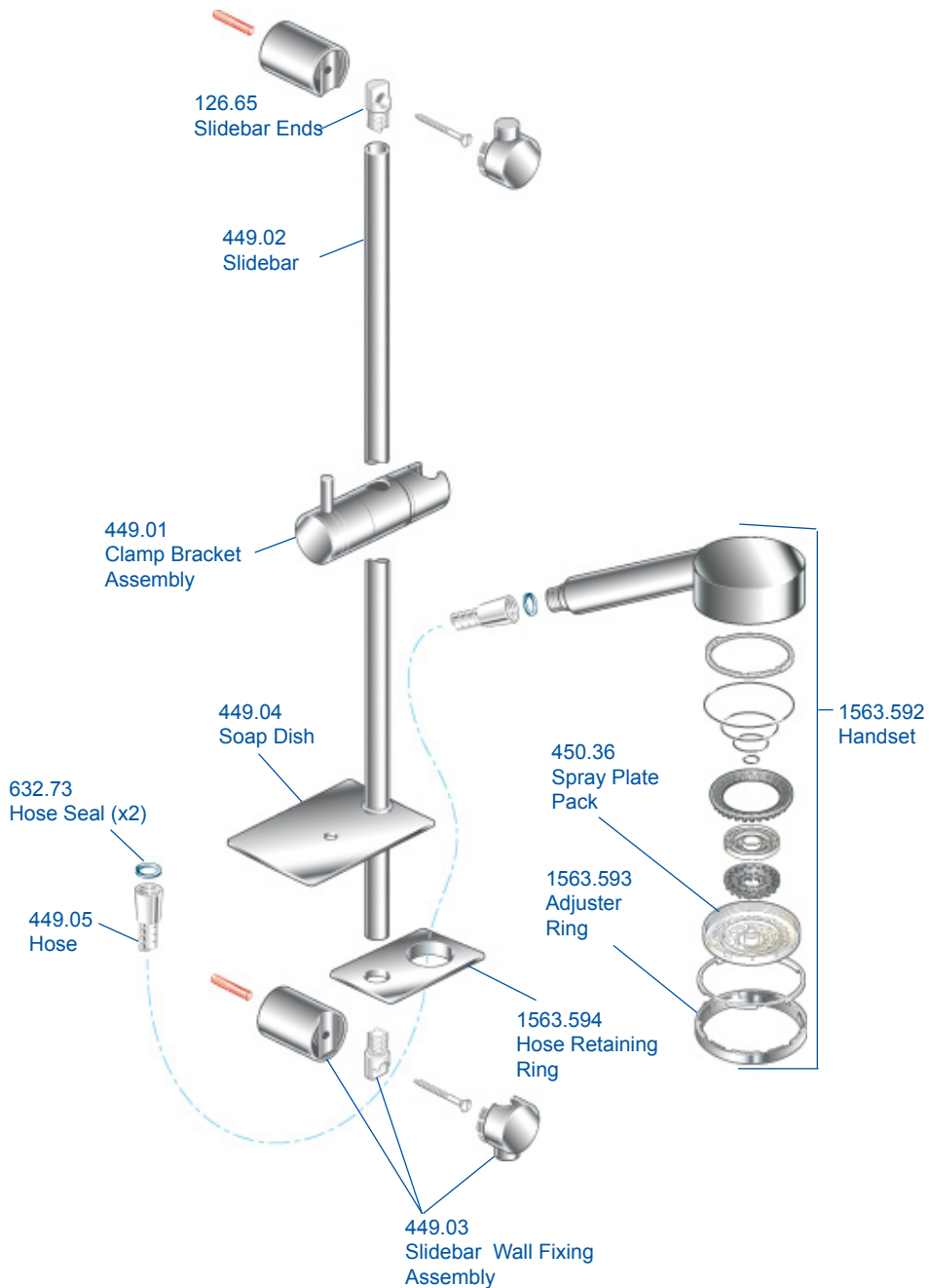
DCV-H: An outlet double check valve, designed to prevent the backflow or backsiphonage of potentially contaminated water, through shower controls which are fitted with a flexible hose as part of the outlet shower fitting. Available as an optional accessory from your Mira Showers stockists.



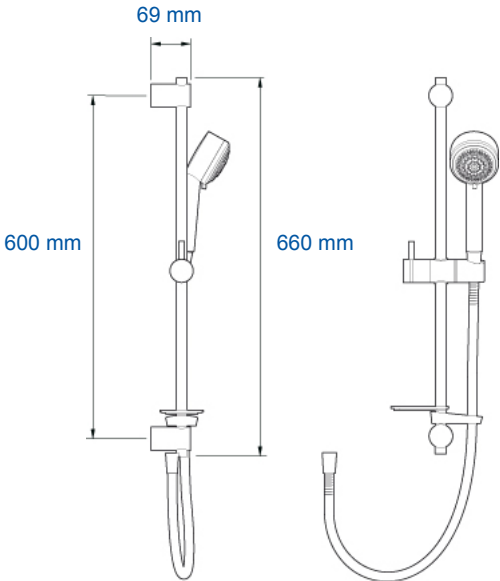
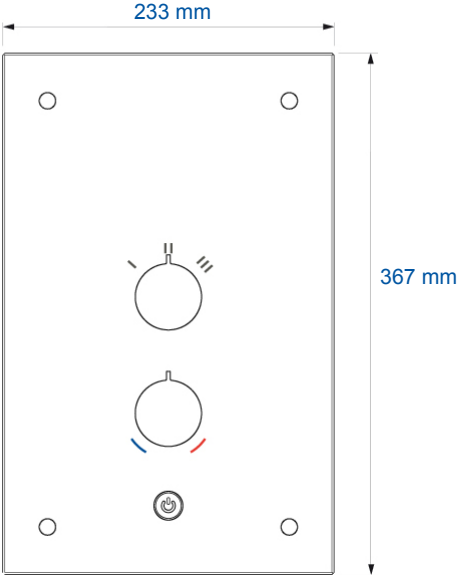
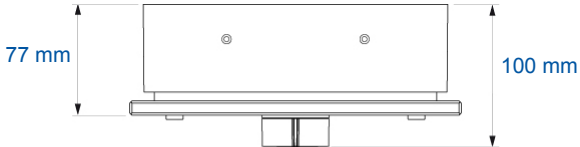
Mira Azora Spare Parts Diagram



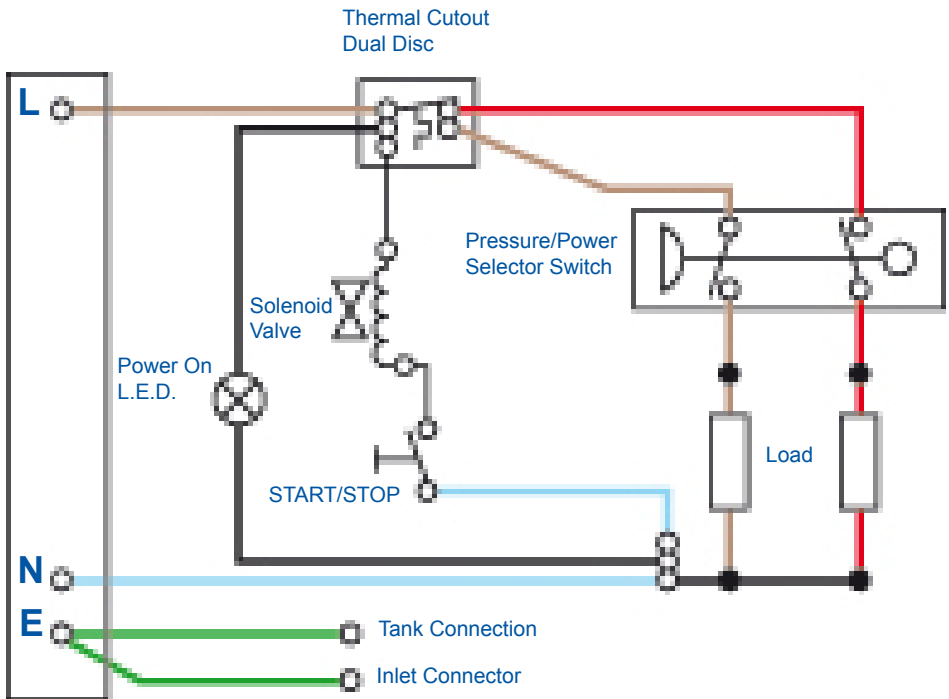
Mira Energise Shower Fittings Spare Parts List



Dimensions



Wiring Diagram



Internal Wiring Diagram

Customer Services

Guarantee of Quality

Mira Showers guarantee your product against any defect in materials or workmanship for the period shown in the Guarantee Registration Document included with your shower.

Alternatively, to confirm the applicable guarantee period please contact Customer Services.

To validate the guarantee, please return your completed registration card.

Within the guarantee period we will resolve defects, free of charge, by repairing or replacing parts or modules as we may choose.

To be free of charge, service work must only be undertaken by Mira Showers or our approved agents in Northern Ireland and Republic of Ireland.

Service under this guarantee does not affect the expiry date. The guarantee on any exchanged parts or product ends when the normal product guarantee period expires. Not covered by this guarantee:

Damage or defects arising from incorrect installation, improper use or lack of maintenance, including build-up of limescale.

Damage or defects if the product is taken apart, repaired or modified by any person not authorised by Mira Showers or our approved agents.

This guarantee is in addition to your statutory and other legal rights.

Before using your shower

Please take the time to read and understand the operating and safety instructions detailed in this manual.

What to do if something goes wrong

If when you first use your shower it doesn't function correctly, first contact your installer to check that installation and commissioning are satisfactory and in accordance with the instructions in this manual. We are on-hand to offer you or your installer any advice you may need.

Should this not resolve the difficulty, simply contact our Customer Services who will give every assistance, and if necessary arrange for our service engineer to visit.

If later the performance of your shower declines, consult this manual to see whether simple home maintenance is required. Please call our Customer Services to talk the difficulty through, request service under guarantee if applicable, or take advantage of our comprehensive After-Sales service.

As part of our quality and training programme calls may be recorded or monitored.

Our Customer Services Team is comprehensively trained to provide every assistance you may need: help and advice, spare parts or a service visit.

Spare Parts

We maintain an extensive stock of spares, and aim to provide support throughout the product's expected life. Spares can be purchased from approved stockists or merchants (locations on request) or direct from Customer Services.

Spares direct will normally be despatched within two working days. Payment can be made by Visa or Mastercard at the time of ordering. Should payment by cheque be preferred a pro-forma invoice will be sent.

Note! In the interests of safety, spares requiring exposure to mains voltages can only be sent to competent persons.

Service

Our Service Force is available to provide a quality service at a reasonable cost. You will have the assurance of a Mira trained engineer/agent, genuine Mira spares – and a 12 month guarantee on the repair.

Payment should be made directly to the Service Engineer/Agent, using Visa, Mastercard or a cheque supported by a banker's card.

To contact us

England, Scotland & Wales
Mira Showers Customer Services
Telephone: 0870 241 0888

8:30 am to 5:00 pm Working days (4:30 pm Friday)

8:30 am to 12:30 pm Saturday

E-mail: technical@mirashowers.com

Fax: 01242 282595

By Post: Cromwell Road

Cheltenham
Gloucestershire
GL52 5EP

Northern Ireland

Wm H Leech & Son Ltd

Telephone: 028 9044 9257 – Mon to Fri 9 am-5pm

Fax: 028 9044 9234 – 24 hours

Post: Maryland Industrial Estate
Ballygowan Road
Moneyreagh, Co Down
BT23 6BL

Republic of Ireland

Modern Plant Ltd

Telephone: 01 4591344 – Mon to Fri 9am to 5pm

Fax: Dublin 01 4592329 – 24 hours

E-mail: Sales@Modemplant.ie

Post: Otter House

Naas Road
Clondalkin
Dublin 22



Mira Showers
Kohler Mira Ltd
Cromwell Road,
Cheltenham GL52 5EP.

Mira is a registered trade mark of
Kohler Mira Limited.
The company reserves the right to alter
product specifications without notice.
www.mirashowers.com



mira
AZORA